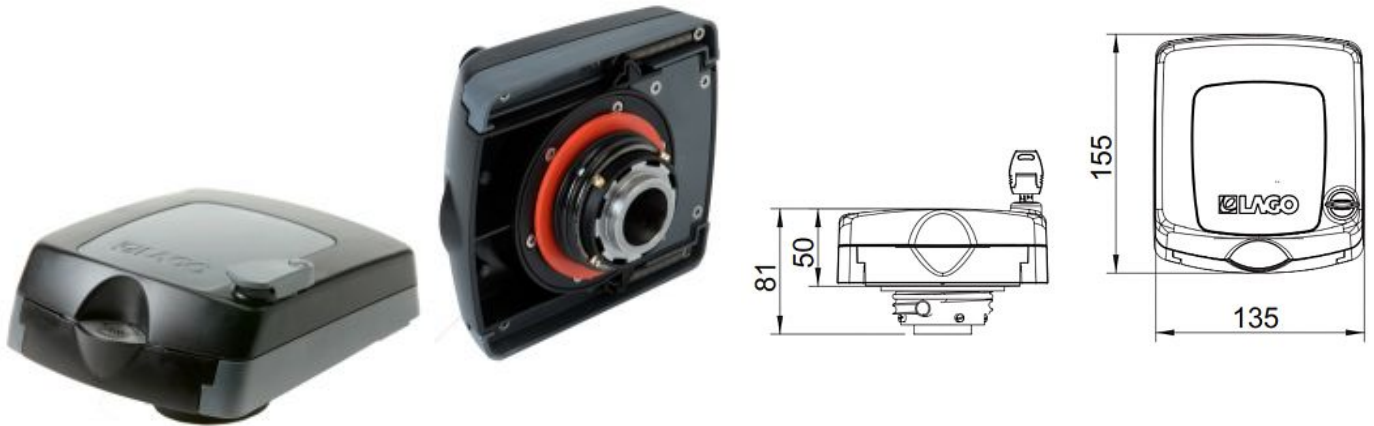


ZIPPER LOCK WIRED 80

Self closing ventilated fuel cap. Features quick mount 80 thread, lock, a built in electronic activation switch and wire connection which can be used to trigger events upon fuel cap opening. Applicable current range 5-30V 1-100mA
For tanks with inner threaded opening $\varnothing 80$ mm Scania series 4



CODE	DESCRIPTION
586753035	Self closing ventilated fuel cap. Features quick mount 80 thread, lock, a built in electronic activation switch and wire connection which can be used to trigger events upon fuel cap opening. Applicable current range 5-30V 1-100mA

-->

TECHNICAL DATA	
REGULATIONS	
Reference standard	ECE R34 Part III

ACCESSORIES						available[M/Y]	
code	version	item	description	qty	from	to	

SPARE PARTS						available[M/Y]	
code	version	item	description	qty	from	to	