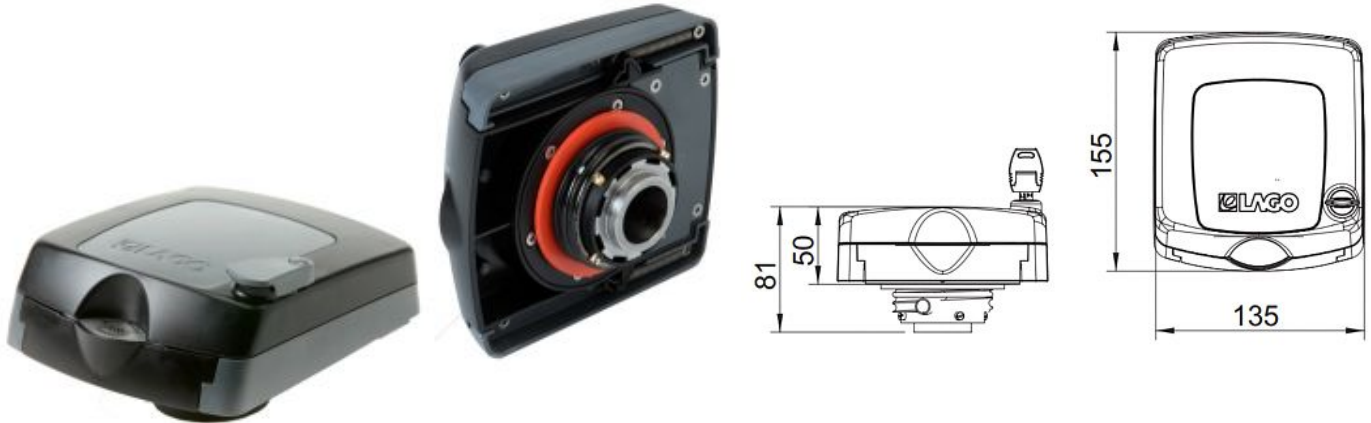


ZIPPER LOCK WIRELESS 80

Self closing ventilated fuel cap. Features quick mount 80 thread, lock, built in electronic activation and wireless transmitter which can be used to trigger events upon fuel cap opening. Includes it's own receiver unit and buzzer which warns the vehicle cabin occupant of cap opening.

For tanks with inner threaded opening $\varnothing 80$ mm Scania series 4



CODE	DESCRIPTION
586756035	Self closing ventilated fuel cap. Features quick mount 80 thread, lock, built in electronic activation and wireless transmitter which can be used to trigger events upon fuel cap opening. Includes it's own receiver unit and buzzer which warns the vehicle cabin occupant of cap opening.

-->

TECHNICAL DATA

ACCESSORIES							available[M/Y]	
code	version	item	description	qty	from	to		
SPARE PARTS								
code	version	item	description		from	to		